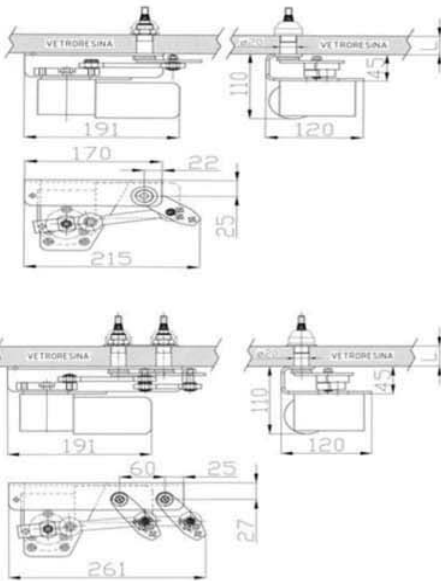


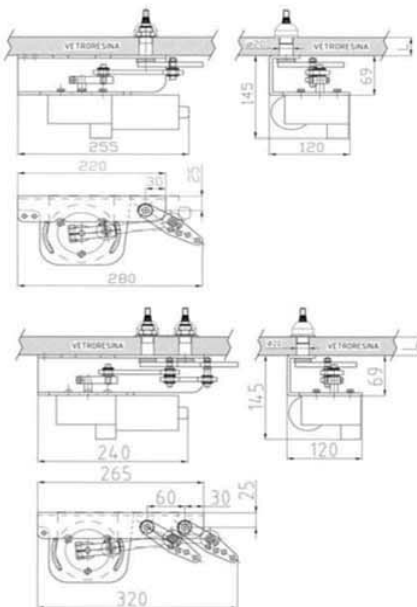
small

Motori

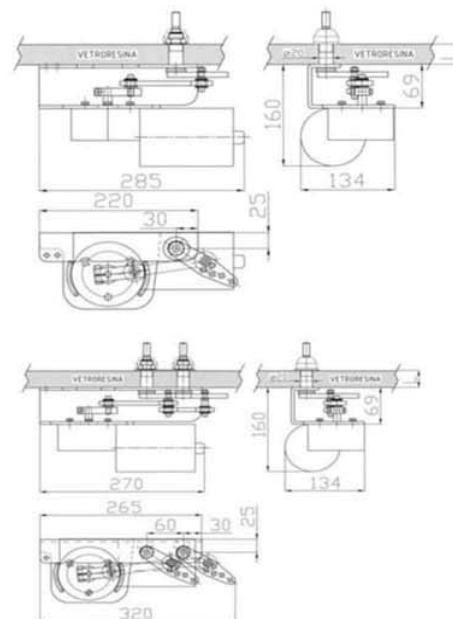


Engine's range consists in 3 models: SMALL-MEDIUM-BIG available both in single and double drive, according to power's requests. Engines are produced from Bosch, mounted on a treated steel support; pivot is realized in stainless steel AISI 316L and is available in different lengths. Engines are available in the two standard tensions: 12 and 24Volt.

medium



big



	tension	drive	outcoming bushing	max couple	wiping angles	AMP consumption	dimensions	weight	wiper arm's max lenght
SMALL	12/24	single/double	7mm-32mm-50mm	23Nm	da 30° a 90°	6/3	261x110x120	4 Kg	single: 600 mm pant: 900 mm
MEDIUM	12/24	single/double	7mm-32mm-50mm	50Nm	da 30° a 90°	10/5	280x145x120	4 Kg	single: 800 mm pant: 1050 mm
BIG	12/24	single/double	7mm-32mm-50mm	80Nm	da 30° a 90°	9	320x160x134	5 kg	single: 1000 mm pant: 1300 mm